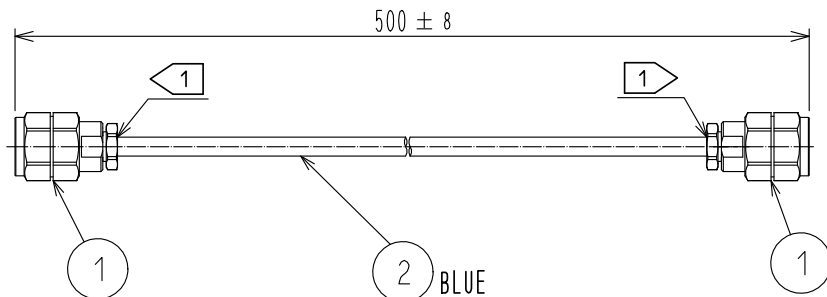
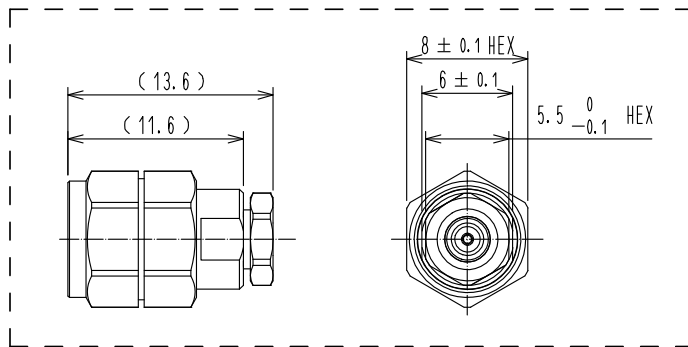


APPLICABLE STANDARD		MIL-STD-348B			
RATING	OPERATING TEMPERATURE RANGE	-55°C TO +105°C(95%RH MAX)	STORAGE TEMPERATURE RANGE	-55°C TO +50°C(95%RH MAX)	
	POWER	_____ W	CHARACTERISTIC IMPEDANCE	50 Ω (0 TO 50 GHz)	
	PECULIARITY	_____	APPLICABLE CABLE	FCCAF1:NISSEI ELECTRIC CO.,LTD.	
SPECIFICATIONS					
ITEM		TEST METHOD		REQUIREMENTS	
CONSTRUCTION		GENERAL EXAMINATION		VISUALLY AND BY MEASURING INSTRUMENT.	ACCORDING TO DRAWING.
MARKING		CONFIRMED VISUALLY.			
ELECTRIC CHARACTERISTICS					
CONTACT RESISTANCE	100 mA MAX (DC OR 1000 Hz).	CENTER CONTACT	140 mΩ MAX.	×	×
		OUTER CONTACT	24 mΩ MAX.	×	×
INSULATION RESISTANCE	500 V DC.	1500 MΩ MIN.		×	×
VOLTAGE PROOF	500 V AC FOR 1 min.CURRENT LEAKAGE 2mA MAX.	NO FLASHOVER OR BREAKDOWN.		×	×
VOLTAGE STANDING WAVE RATIO	FREQUENCY 0.045 TO 40 GHz.	VSWR	1.35 MAX.	×	×
	FREQUENCY 40 TO 50 GHz.	VSWR	1.45 MAX.	×	×
INSERTION LOSS	FREQUENCY TO GHz.	dB MAX.		-	-
MECHANICAL CHARACTERISTICS					
CABLE CLAMP ROBUSTNESS (AGAINST CABLE PULL)	APPLYING A PULL FORCE THE CABLE AXIALLY AT 49 N MAX.		① NO WITHDRAWAL AND BREAKAGE OF CABLE. ② NO BREAKAGE OF CLAMP.		×
<p>REMARK ① MEASUREMENT METHOD</p>					
COUNT	DESCRIPTION OF REVISIONS		DESIGNED	CHECKED	DATE
①					
REMARK 2.RoHS COMPLIANT			APPROVED	KH. IKEDA	15.01.17
			CHECKED	KY. SHIMIZU	15.01.17
			DESIGNED	TS. SAWAI	15.01.17
Unless otherwise specified, refer to MIL-STD-202.			DRAWN	TS. SAWAI	15.01.17
Note QT:Qualification Test AT:Assurance Test X:Applicable Test			DRAWING NO.		ELC-358099-02-00
HRS	SPECIFICATION SHEET		PART NO.	H2. 4-2P-FCCAF1-A-500RS	
	HIROSE ELECTRIC CO., LTD.		CODE NO.	CL321-6174-0-02	① 1/1



[DIMENSIONS OF CONNECTOR]



NOTE 1 Do not apply any excessive stress to the cable assembly position.

RoHS COMPLIANT

1	H2. 4-P-FCCAF1	CL338-0600-5-00	2	FCCAF1	NISSEI ELECTRIC CO., LTD.		
NO.	PART No.	CL CODE	NO.	PART No.	MANUFACTURER		
UNITS mm		SCALE FREE	COUNT 	DESCRIPTION OF REVISIONS	DESIGNED	CHECKED	DATE
HRS HIROSE ELECTRIC CO., LTD.	APPROVED	: KH. IKEDA		15. 01. 17	DRAWING NO. EDC-358099-02-00		
	CHECKED	: KY. SHIMIZU		15. 01. 17	PART NO. H2. 4-2P-FCCAF1-A-500RS		
	DESIGNED	: TS. SAWAI		15. 01. 17	CODE NO. CL321-6174-0-02		
	DRAWN	: TS. SAWAI		15. 01. 17	2/2		